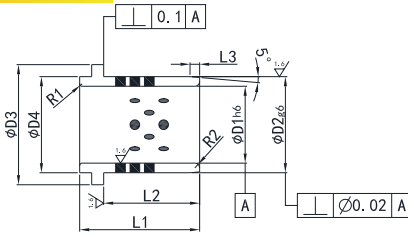


# AX BUSHING FASTENERS SERIES

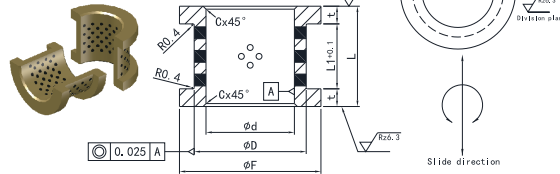
## JX-JNA Oilless Guide Bushes

Material: CuZn25Al5Mn3Fe3+Graphite



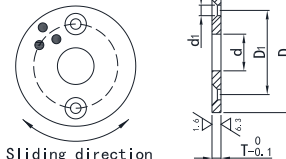
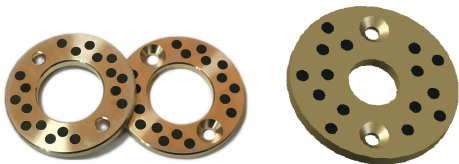
Size	D1	H6	D2	g6	D3	D4	L1	L2	L3	R1
JX-JNA-32-50	32	+0.016 0	40	-0.009	50	40	50	40	4	3
JX-JNA-40-63	40		50	-0.025	63	50	63	50	5	3
JX-JNA-50-71	50	+0.019 0	63	-0.010	71	63	71	56	6	5
JX-JNA-63-80	63		80	-0.029	90	80	80	63	8	6
JX-JNA-80-100	80	+0.022 0	100	$\begin{matrix} -0.012 \\ -0.034 \end{matrix}$	112	100	100	80	10	8
JX-JNA-100-125	100		125	-0.014	140	125	125	106	12	10
JX-JNA-115-140	115	0	140	-0.039	155	140	140	120	12	10

## JX-JFFB Half-Bearing



Size	I.D. $\Phi d$ Inside Dia H7	O.D. $\Phi D$ External Diameter	$\Phi F$ d11	L h12	L1 <sup>+0.1</sup> o	t	C	
JX-JFFB-30	30	38	s6	34	22	6	1	
JX-JFFB-35	35	45	"	45	32	6.5	"	
JX-JFFB-40	40	50	"	60	50	7.5	"	
JX-JFFB-45	45	55	"	65	55	40	7.5	"
JX-JFFB-50	50	60	"	70	60	45	7.5	"
JX-JFFB-60	60	70	"	80	70	50	10	2
JX-JFFB-70	70	85	"	95	80	60	10	"
JX-JFFB-80	80	95	"	110	95	70	12.5	"
JX-JFFB-90	90	105	"	120	105	80	12.5	"
JX-JFFB-100	100	115	"	130	115	90	12.5	"
JX-JFFB-110	110	125	r6	140	125	100	12.5	"
JX-JFFB-120	120	135	"	150	140	110	15	"
JX-JFFB-140	140	160	"	175	160	120	20	"
JX-JFFB-160	160	180	"	200	180	140	20	"

## JX-JTW Metric Thrust Washer

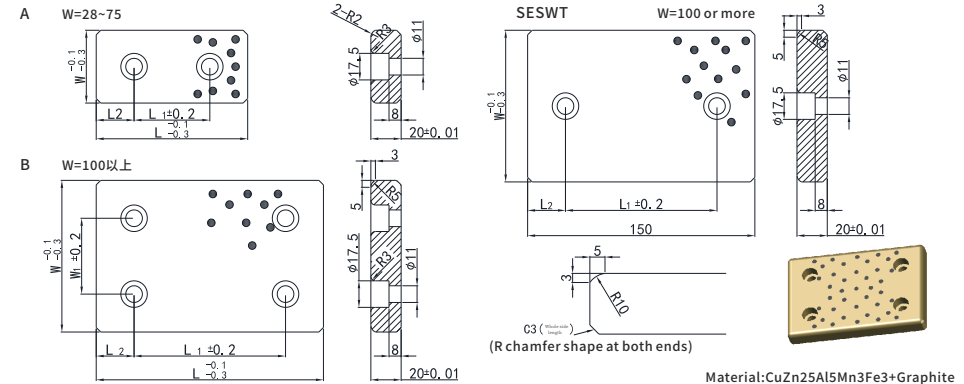


Material: CuZn25Al5Mn3Fe3+Graphite

# AX BUSHING FASTENERS SERIES

Size	d	D	T	Screw Holes			
				D <sub>1</sub>	Q'ty	Size	d <sub>1</sub>
JX-JTW-6-M3	6.2	25	3	15	2	M3	3.5
JX-JTW-8-M3	8.2	28					
JX-JTW-10-M3	10.2	30					
JX-JTW-12-M3	12.2	40					
JX-JTW-12N-M3	12.2	40					
JX-JTW-13-M3	13.2	40		Without flat head screw hole			
JX-JTW-14-M3	14.2	40		28	2	M3	3.5
JX-JTW-15-M3	15.2	50		35			
JX-JTW-16-M3	16.2	50		Without flat head screw hole			
JX-JTW-16N-M3	16.2	50		5	2	M5	6
JX-JTW-18-M3	18.2	50					
JX-JTW-20-M5	20.2	50					
JX-JTW-25-M5	25.2	55					
JX-JTW-30-M5	30.2	60					
JX-JTW-35-M5	35.2	70	7	2	M6	7	
JX-JTW-40-M6	40.2	80					
JX-JTW-45-M6	45.2	90					
JX-JTW-50-M6	50.3	100	8	2	M8	9	
JX-JTW-55-M6	55.3	110					
JX-JTW-60-M8	60.3	120					
JX-JTW-65-M8	65.3	125					
JX-JTW-70-M8	70.3	130					
JX-JTW-75-M8	75.3	140					
JX-JTW-80-M8	80.3	150					
JX-JTW-90-M10	90.5	170					
JX-JTW-100-M10	100.5	190					
JX-JTW-120-M10	120.5	200					

## JX-SWSW 20mm Oilless Wear Plate



Material: CuZn25Al5Mn3Fe3+Graphite

Size	W	L	W <sub>1</sub>	L <sub>1</sub>	L <sub>2</sub>	Catalog No.	
JX-SWSW-28-75	28	75	-	45	15	A	SESW
JX-SWSW-28-100		100	-	50	25		
JX-SWSW-28-150		150	-	100	25		
JX-SWSW-38-75	38	75	-	45	15		
JX-SWSW-38-100		100	-	50	25		
JX-SWSW-38-150		150	-	100	25		
JX-SWSW-48-75	48	75	-	45	15		
JX-SWSW-48-100		100	-	50	25		
JX-SWSW-48-120		125	-	75	25		
JX-SWSW-48-150		150	-	100	25		
JX-SWSW-48-200	-	200	-	150	25	-	-