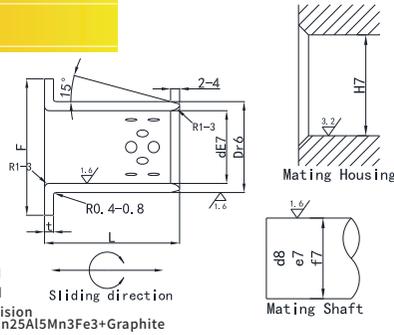


JXBUSHING FASTENERS SERIES

Size	d	TOL (F7)	D	TOL (m6)	L																		
					8	10	12	15	20	25	30	35	40	50	60	70	80	90	100	120	140	160	180
JX-JDB-25	25	+0.041	33	+0.025 +0.009				●	●	●	●	●	●										
	25	+0.020	35					●	●	●	●	●	●										
JX-JDB-30	30		38	+0.025 +0.009				●	●	●	●	●	●										
	30		40					●	●	●	●	●	●										
JX-JDB-35	35		45	+0.025 +0.009				●	●	●	●	●	●	●									
	40		50					●	●	●	●	●	●	●									
JX-JDB-40	40		55	+0.025 +0.009				●	●	●	●	●	●	●	●								
	45	+0.050	55					●	●	●	●	●	●	●	●	●							
JX-JDB-45	45	+0.026	56	+0.030 +0.011				●	●	●	●	●	●	●	●	●							
	45		60					●	●	●	●	●	●	●	●	●	●						
JX-JDB-50	50		60	+0.030 +0.011				●	●	●	●	●	●	●	●	●	●						
	50		65					●	●	●	●	●	●	●	●	●	●	●					
JX-JDB-55	55		70	+0.030 +0.011				●	●	●	●	●	●	●	●	●	●	●					
	60		75					●	●	●	●	●	●	●	●	●	●	●	●				
JX-JDB-60	60		80	+0.030 +0.011				●	●	●	●	●	●	●	●	●	●	●	●				
	65		85					●	●	●	●	●	●	●	●	●	●	●	●	●			
JX-JDB-70	70	+0.060	90	+0.030 +0.011				●	●	●	●	●	●	●	●	●	●	●	●	●			
	70	+0.030	90					●	●	●	●	●	●	●	●	●	●	●	●	●	●		
JX-JDB-75	75		95	+0.035 +0.013				●	●	●	●	●	●	●	●	●	●	●	●	●	●		
	75		100					●	●	●	●	●	●	●	●	●	●	●	●	●	●	●	
JX-JDB-80	80		100	+0.035 +0.013				●	●	●	●	●	●	●	●	●	●	●	●	●	●	●	
	85		100					●	●	●	●	●	●	●	●	●	●	●	●	●	●	●	●
JX-JDB-90	90		110	+0.071 +0.036				●	●	●	●	●	●	●	●	●	●	●	●	●	●	●	
	100	+0.071 +0.036	120					●	●	●	●	●	●	●	●	●	●	●	●	●	●	●	●
JX-JDB-110	110		130	+0.040 +0.015				●	●	●	●	●	●	●	●	●	●	●	●	●	●	●	
	120		140					●	●	●	●	●	●	●	●	●	●	●	●	●	●	●	●
JX-JDB-120	120		150	+0.040 +0.015				●	●	●	●	●	●	●	●	●	●	●	●	●	●	●	
	130		160					●	●	●	●	●	●	●	●	●	●	●	●	●	●	●	●
JX-JDB-140	140		170	+0.083 +0.043				●	●	●	●	●	●	●	●	●	●	●	●	●	●	●	
	150	+0.083 +0.043	180					●	●	●	●	●	●	●	●	●	●	●	●	●	●	●	●
JX-JDB-160	160		190	+0.046 +0.017				●	●	●	●	●	●	●	●	●	●	●	●	●	●	●	
	170		200					●	●	●	●	●	●	●	●	●	●	●	●	●	●	●	●
JX-JDB-180	180		210	+0.096 +0.059				●	●	●	●	●	●	●	●	●	●	●	●	●	●	●	
	190	+0.096 +0.059	210					●	●	●	●	●	●	●	●	●	●	●	●	●	●	●	●

JX- JFB Flanged Bushing

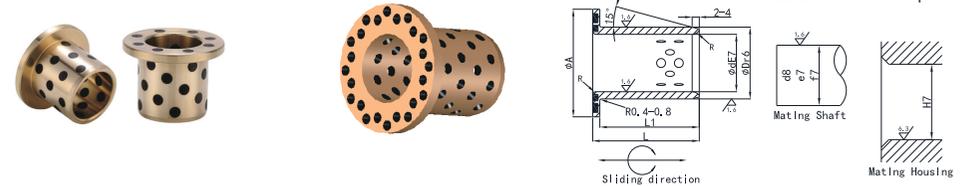


Size	d	TOL (F7)	D	TOL (m6)	ΦF	t	L															
							10	12	15	20	25	30	35	40	45	50	55	60	65	70	75	80
JX-JFB-F-8	8	+0.040	12	+0.034	20	2	●	●														
JX-JFB-F-10	10	+0.025	14	+0.023	22	2	●	●														
JX-JFB-F-12	12		18		25	3	●	●	●													
JX-JFB-F-14	14	+0.050	20		27	3	●	●	●	●												
JX-JFB-F-16	16	+0.032	22		29	3	●	●	●	●	●											
JX-JFB-F-18	18		24	+0.041	32	3	●	●	●	●	●	●										
JX-JFB-F-20	20		28	+0.028	35	3	●	●	●	●	●	●	●									
	20	+0.061	30		40	5																
JX-JFB-F-25	25	+0.040	35		45	5																
JX-JFB-F-30	30		40	+0.050	50	5																
JX-JFB-F-31.5	31.5	+0.073 +0.050	40	+0.034	50	5																

JXBUSHING FASTENERS SERIES

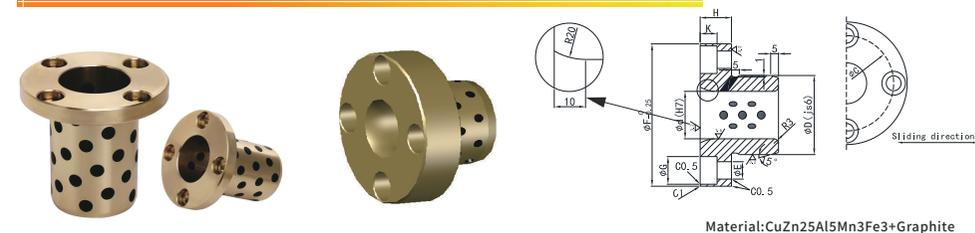
Size	d	TOL (F7)	D	TOL (m6)	ΦF	t	L															
							10	12	15	20	25	30	35	40	45	50	55	60	65	70	75	80
JX-JFB-F-35	35	+0.075	45	+0.050	60	5									●	●	●	●	●	●	●	●
JX-JFB-F-40	40	+0.050	50	+0.034	65	5									●	●	●	●	●	●	●	●
JX-JFB-F-45	45		55		70	5									●	●	●	●	●	●	●	●
JX-JFB-F-50	50		60	+0.060	75	5									●	●	●	●	●	●	●	●
JX-JFB-F-55	55		65	+0.041	80	5									●	●	●	●	●	●	●	●
JX-JFB-F-60	60		75	+0.062	90	7.5									●	●	●	●	●	●	●	●
JX-JFB-F-65	65	+0.090	80	+0.043	95	7.5									●	●	●	●	●	●	●	●
JX-JFB-F-70	70	+0.060	85		105	7.5									●	●	●	●	●	●	●	●
JX-JFB-F-75	75		90	+0.073	110	7.5									●	●	●	●	●	●	●	●
JX-JFB-F-80	80		100	+0.051	120	10									●	●	●	●	●	●	●	●
JX-JFB-F-90	90		110	+0.076	130	10									●	●	●	●	●	●	●	●
JX-JFB-F-100	100	+0.107	120	+0.054	150	10									●	●	●	●	●	●	●	●
JX-JFB-F-120	120	+0.072	140	+0.088 +0.063	170	10									●	●	●	●	●	●	●	●
JX-JFB-F-130	130		150	+0.090	180	10									●	●	●	●	●	●	●	●
JX-JFB-F-140	140	+0.125	160	+0.065	190	10									●	●	●	●	●	●	●	●
JX-JFB-F-150	150	+0.085	170	+0.093	200	10									●	●	●	●	●	●	●	●
JX-JFB-F-160	160		180	+0.068	210	10									●	●	●	●	●	●	●	●

JX-JDBB Oilless Flange Bushes



Size	Φd	E7	ΦD	r6	ΦA	L1	L
JX-JDBB-12-15	12		18	+0.034 +0.023	25	11	15
JX-JDBB-16-20	16	+0.050 +0.032	22	+0.041 +0.028	30	15	20
JX-JDBB-20-25	20	+0.061 +0.040	28		36	20	25
JX-JDBB-25-30	25		33		43	25	30
JX-JDBB-30-35	30		38	+0.050 +0.034	48	30	35
JX-JDBB-40-55	40	+0.075 +0.050	50		60	40	45
JX-JDBB-50-55	50		62	+0.060 +0.041	75	49	55
JX-JDBB-60-65	60	+0.090 +0.060	75	+0.062 +0.043	90	58	65

JX-HGB Self-lubricant Guide Bushes



规格型号 size	Φd (H7)	ΦD (js6)	ΦF	H	L	K	ΦC	ΦE	ΦG	尺寸 Specification
JX-HGB-30	30	50	90	20	50	10.8	70	11	17.5	90x50x30x50
JX-HGB-40	40	60	100	20	65	10.8	80	11	17.5	100x60x40x65
JX-HGB-50	50	75	125	20	80	10.8	100	11	17.5	125x75x50x80
JX-HGB-60	60	85	135	20	100	10.8	110	11	17.5	135x85x60x100
JX-HGB-80	80	110	170	25	130	13	140	14	20	170x110x80x130
JX-HGB-100	100	130	190	25	160	13	160	14	20	190x130x100x160