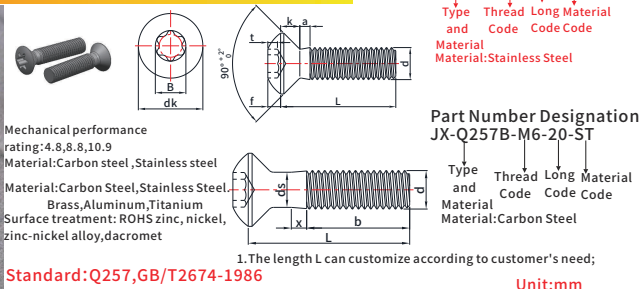


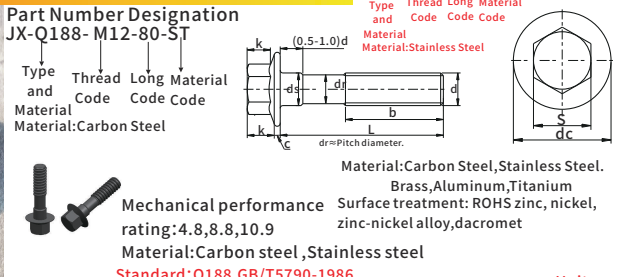
# AX AUTOMOTIVE SCREWS FASTENERS SERIES

## Hexagon lobular socket raised semi-countersunk head screw



Size	P/N		P	b	dk		k	Slot No	t		
	Carbon Steel	Stainless Steel			Theory min.	Actual max.			max.	min.	
M2	JX-Q257B-M6-L-ST	JX-Q257B-M6-L-SS	0.4	25	4.4	3.8	3.5	1.2	T6	0.77	0.63
M2.5	JX-Q257B-M6-L-ST	JX-Q257B-M6-L-SS	0.45	25	5.5	4.7	4.4	1.5	T8	1.04	0.91
M3	JX-Q257B-M6-L-ST	JX-Q257B-M6-L-SS	0.5	25	6.3	5.5	5.2	1.65	T10	1.15	0.88
M3.5	JX-Q257B-M6-L-ST	JX-Q257B-M6-L-SS	0.6	38	8.2	7.3	6.94	2.35	T15	1.53	1.27
M4	JX-Q257B-M6-L-ST	JX-Q257B-M6-L-SS	0.7	38	9.4	8.4	8.04	2.7	T20	1.8	1.42
M5	JX-Q257B-M6-L-ST	JX-Q257B-M6-L-SS	0.8	38	10.4	9.3	8.94	2.7	T25	2.03	1.65
M6	JX-Q257B-M6-L-ST	JX-Q257B-M6-L-SS	1	38	12.6	11.3	10.87	3.3	T30	2.42	2.02
M8	JX-Q257B-M6-L-ST	JX-Q257B-M6-L-SS	1.25	38	17.3	15.8	15.37	4.65	T45	3.31	2.92
M10	JX-Q257B-M6-L-ST	JX-Q257B-M6-L-SS	1.5	38	20	18.3	17.78	5	T50	2.92	3.42
M12	JX-Q257B-M12-L-ST	JX-Q257B-M12-L-SS	1.75	48	24	22	21.5	6	T55	3.5	3.02
M14	JX-Q257B-M14-L-ST	JX-Q257B-M14-L-SS	2.0	48	28	25.5	25	7	T55	3.7	3.22
M16	JX-Q257B-M16-L-ST	JX-Q257B-M16-L-SS	2.0	48	32	29	28.5	8	T60	4.1	3.62
M20	JX-Q257-M20-L-ST	JX-Q257-M20-L-SS	2.5	48	40	36	35.4	10	T80	6	5.42

## JX-Q188 Hexagon flange bolts (Enlarge series-Thin rod)



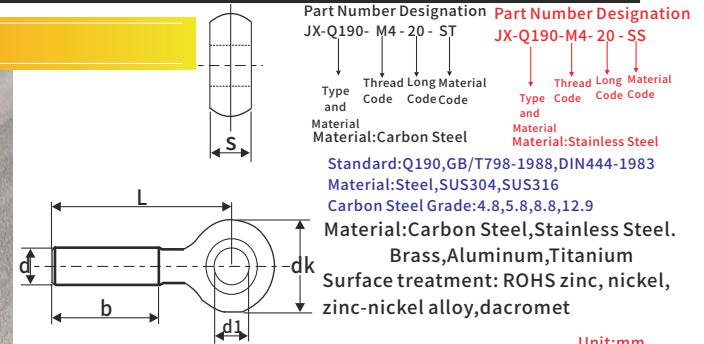
Size	Pitch P	P/N		b <sub>ref</sub>		C <sub>min</sub>	K' <sub>min</sub>	d <sub>c</sub> max	K <sub>max</sub>	S		d <sub>s</sub>	
		Carbon Steel	Stainless steel	L ≤ 125	125 < L ≤ 200					min	max	min	max
M5	0.8	JX-Q188-M5-L-ST	JX-Q188-M5-L-SS	16	/	1.00	2.0	11.8	5.4	7.64	8	4.82	5
M6	1.0	JX-Q188-M6-L-ST	JX-Q188-M6-L-SS	18	/	1.10	2.5	14.2	6.6	9.64	10	5.82	6
M8	1.25	JX-Q188-M8-L-ST	JX-Q188-M8-L-SS	22	28	1.20	3.2	18.0	8.1	12.57	13	7.78	8
M10	1.5	JX-Q188-M10-L-ST	JX-Q188-M10-L-SS	26	32	1.50	3.6	22.3	9.2	14.57	15	9.78	10
M12	1.75	JX-Q188-M12-L-ST	JX-Q188-M12-L-SS	30	36	1.80	4.6	26.6	10.4	17.57	18	11.73	12
(M14)	2.0	JX-Q188-M14-L-ST	JX-Q188-M14-L-SS	34	40	2.10	5.5	30.5	12.4	20.16	21	13.73	14
M16	2.0	JX-Q188-M16-L-ST	JX-Q188-M16-L-SS	38	44	2.40	6.2	35	14.1	23.16	24	15.78	16
M20	2.5	JX-Q188-M20-L-ST	JX-Q188-M20-L-SS	46	52	3.00	7.9	43	17.0	29.16	30	19.67	20

Remark: 1. The length L can customize according to customer's need; 2. Try to avoid the specifications of the brackets;

Remark: Material and surface treatment can also be manufactured according to customer requirements

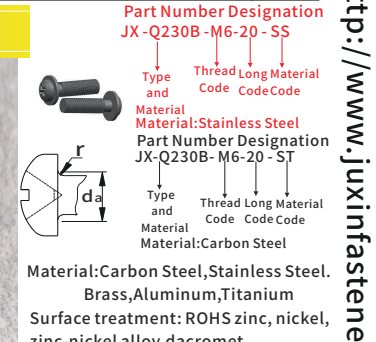
# AX AUTOMOTIVE SCREWS FASTENERS SERIES

## JX-Q190 Eye Bolts



SIZE	Thread Code	P/N		L	b	d1		s		dk
		Carbon Steel	Stainless Steel			Max	Min	Max	Min	
M4	0.7	JX-Q190-M4-L-ST	JX-Q190-M4-L-SS	20 25 30 35	14	3.16	3.06	4.93	4.75	8
M5	0.8	JX-Q190-M5-L-ST	JX-Q190-M5-L-SS	25 30 35 40 45	16	4.19	4.07	5.93	5.75	10
M6	1	JX-Q190-M6-L-ST	JX-Q190-M6-L-SS	30 35 40 45 50 55	18	5.19	5.07	7.92	7.7	12
M8	1.25	JX-Q190-M8-L-ST	JX-Q190-M8-L-SS	35 40 45 50 55 60 65 70	22	6.19	6.07	9.92	9.7	14
M10	1.5	JX-Q190-M10-L-ST	JX-Q190-M10-L-SS	40 45 50 55 60 65 70 80 90	26	8.23	8.08	11.905	11.635	18
M12	1.5/1.75	JX-Q190-M12-L-ST	JX-Q190-M12-L-SS	50 55 60 65 70 80 90 100 110	30	10.23	10.08	13.905	13.635	20
M16	1.5/2	JX-Q190-M16-L-ST	JX-Q190-M16-L-SS	50 55 60 65 70 80 90 100 110	38	12.275	12.095	17.905	17.635	28
M20	2.5	JX-Q190-M20-L-ST	JX-Q190-M20-L-SS	50 55 60 65 70 80 90 100 110	52	16.275	16.095	21.89	21.56	34
M24	3.0	JX-Q190-M24-L-ST	JX-Q190-M24-L-SS	50 55 60 65 70 80 90 100 110	60	20.32	20.11	25.89	25.56	42
M30	4.0	JX-Q190-M30-L-ST	JX-Q190-M30-L-SS	50 55 60 65 70 80 90 100 110	72	25.32	25.11	33.88	33.5	52
M36	4.0	JX-Q190-M36-L-ST	JX-Q190-M36-L-SS	50 55 60 65 70 80 90 100 110	84	30.32	30.11	39.87	39.48	64

## 十字槽盘头螺钉和平垫圈组合件 Cross recessed pan head screw and flat washer assembly



Item	PHL Screw	Flat washer	Mechanical performance rating: 4.8, 8.8, 10.9		L	a <sub>max</sub>	b <sub>min</sub>	d <sub>a</sub> max	r <sub>min</sub>	h <sub>Nominal</sub>	d <sub>2</sub> Nominal
			Material: Carbon steel	Material: stainless steel							
Standard	Q214	Q407B(N Type)									
Size	pitch P	P/N		L	a <sub>max</sub>	b <sub>min</sub>	d <sub>a</sub> max	r <sub>min</sub>	h <sub>Nominal</sub>	d <sub>2</sub> Nominal	
d	P	Carbon Steel	Stainless steel								
M3	0.5	JX-Q230B-M3-L-ST	JX-Q230B-M3-L-SS	8 10 12 (14) 16 20 25 30	1.0	25	2.8		0.5	7	
M4	0.7	JX-Q230B-M4-L-ST	JX-Q230B-M4-L-SS	10 12 (14) 16 20 25 30 40	1.4	38	3.8	By the process control	0.8	9	
M5	0.8	JX-Q230B-M5-L-ST	JX-Q230B-M5-L-SS	12 (14) 16 20 25 30 40 45	1.6	38	4.7		1	10	
M6	1.0	JX-Q230B-M6-L-ST	JX-Q230B-M6-L-SS	(14) 16 20 25 30 40 45 50	2.0	38	5.6		1.6	12	

Remark: 1. The length L can customize according to customer's need; 2. Try to avoid the specifications of the brackets; 3. Except a<sub>max</sub>, d<sub>max</sub>, r<sub>min</sub>, other according to the Q214.

Remark: Material and surface treatment can also be manufactured according to customer requirements

http://www.juxinfasteners.com

http://www.juxinfasteners.com