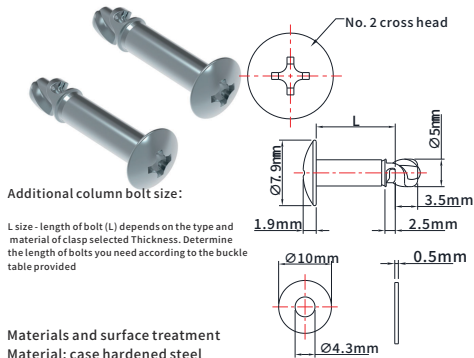


JX QUARTER-TURN FASTENERS

JX-MD2 1/4 quick-lock fasteners bolt and washer 5mm

P/N: JX-MD2-515-13(L)-190-ST

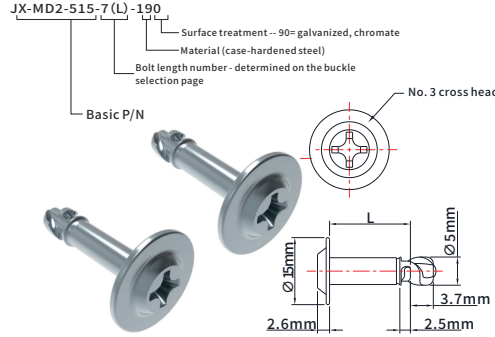
Quarter-Turn Stud, Medium Size, Phillips Recess



Additional column bolt size:
L size - length of bolt (L) depends on the type and material of clasp selected Thickness. Determine the length of bolts you need according to the buckle table provided

P/N: JX-MD2-515-13(L)-7.9-ST
Materials and surface treatment
Material: case hardened steel
Surface treatment: Plate Zinc

Quarter-Turn Stud, Medium Size, Phillips Recess P/N Screw P/N:



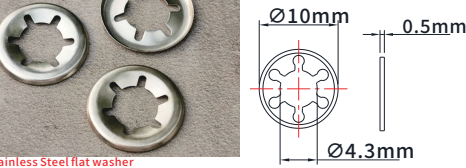
Surface treatment -- 90° galvanized, chromate
Material (case-hardened steel)
Bolt length number - determined on the buckle selection page

Basic P/N

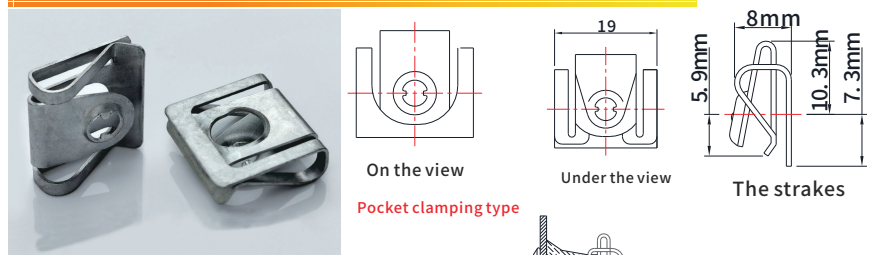


Plastic flat washer
P/N: JX-MD2-535-100-040-LDPE

Stainless Steel flat washer
P/N: MD2-525-101-190-S/S



JX-MD2 Pocket clasp clamping type for JX-MD2 1/4 quick-lock fasteners -- 5mm

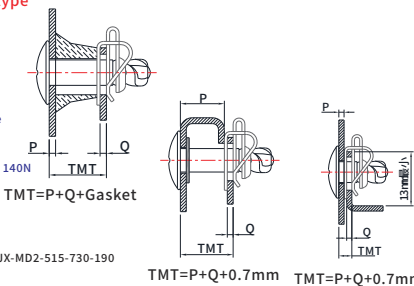


P/N: JX-MD2-535-330-190-Mn

Determine the required bolt length
1. Calculate the total thickness (TMT) of the locked object with table 1 below.
2. Then find the applicable TMT range according to the table and use bolts
Fill bolt part number with length number.

Materials and surface treatment
Material: Spring steel
Surface treatment: Galvanized chromate

Mechanical properties
Maximum load not causing deformation: 140N
Maximum torque: 250.cm



For example:
When TMT=24 mm, bolt length number is 30; The no. 2 in ten For bolts, part number is JX-MD2-515-730-190

Table 1: total thickness of locked objects (TMT)

Total length of locked object (TMT)	2.5-3.4	3.5-4.4	4.5-5.4	5.5-6.4	6.5-7.4	7.5-8.4	8.5-9.4	9.5-10.4	10.5-11.4	11.5-12.4	12.5-13.4	13.5-14.4
Bolt length number (L Dim)	09	10	11	12	13	14	15	16	17	18	19	20
Total length of locked object (TMT)	14.5-15.4	15.5-16.4	16.5-17.4	17.5-18.4	18.5-19.4	19.5-20.4	20.5-21.4	21.5-22.4	22.5-23.4	23.5-24.4	24.5-25.4	
Bolt length number (L Dim)	21	22	23	24	25	26	27	28	29	30	31	

JX QUARTER-TURN FASTENERS

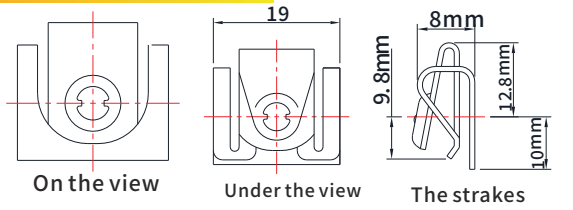
JX-MD2 1/4 quick fasteners long clasp clamping type -- 5mm



Quarter-Turn Receptacle, Medium Size
P/N: JX-MD2-535-340-130-Mn

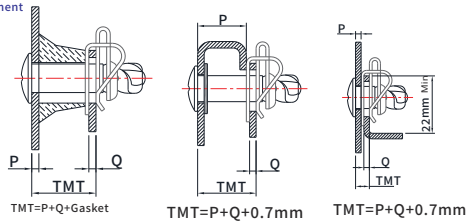
Materials and surface treatment
Material: Spring steel
Finish: Organic silver

Mechanical properties
Installation load: 140N
Maximum torque: 240N.cm



On the view Under the view The strakes

Determine the required bolt length
1. Calculate the total thickness (TMT) of the locked object with table 1 below.
2. Then find out the applicable TMT range according to the table.
Fill bolt part number with bolt length number.



For example:
When TMT=24 mm; The bolt length is 30; For bolt # 2 crosshead, bolt part number is JX-MD2-515-730-190

Table 1: total thickness of locked objects (TMT)

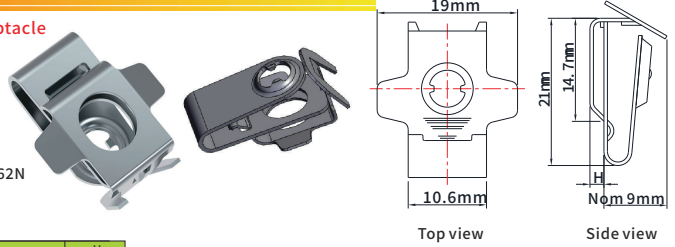
Total Locked Length(TMT)	2.5-3.4	3.5-4.4	4.5-5.4	5.5-6.4	6.5-7.4	7.5-8.4	8.5-9.4	9.5-10.4	10.5-11.4	11.5-12.4	12.5-13.4	13.5-14.4
Screw Length Code (L Dim)	09	10	11	12	13	14	15	16	17	18	19	20
The total length of the locked object (TMT)	14.5-15.4	15.5-16.4	16.5-17.4	17.5-18.4	18.5-19.4	19.5-20.4	20.5-21.4	21.5-22.4	22.5-23.4	23.5-24.4	24.5-25.4	
Bolt length code (L Dim)	21	22	23	24	25	26	27	28	29	30	31	

JX-MD2 1/4 Quarter-Turn Receptacle- 5mm

Card type into the Quarter-Turn Receptacle

Materials and surface treatment
Material: spring steel
Surface treatment: galvanized chromate

Maximum load not causing deformation: 62N
Maximum torque: 250N.cm



Range of support thickness	Insert part number	H size
0.9-1.4	JX-MD2-535-600-190	1.9
1.5-2.0	JX-MD2-535-601-190	2.5

Determine the required bolt length
1. Calculate the total thickness (TMT) of the locked object with table 1 below.
2. Then find out the applicable TMT range according to the table.
Fill bolt part number with bolt length number.

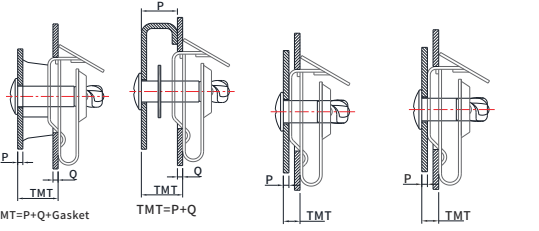


Table 1: total thickness of locked objects (TMT)

Total length of locked object (TMT)	2.5-3.4	3.5-4.4	4.5-5.4	5.5-6.4	6.5-7.4	7.5-8.4	8.5-9.4	9.5-10.4	10.5-11.4	11.5-12.4	12.5-13.4	13.5-14.4
Bolt length number (L Dim)	09	10	11	12	13	14	15	16	17	18	19	20
Total length of locked object (TMT)	14.5-15.4	15.5-16.4	16.5-17.4	17.5-18.4	18.5-19.4	19.5-20.4	20.5-21.4	21.5-22.4	22.5-23.4	23.5-24.4	24.5-25.4	
Bolt length number (L Dim)	21	22	23	24	25	26	27	28	29	30	31	

http://www.juxinfasteners.com

http://www.juxinfasteners.com