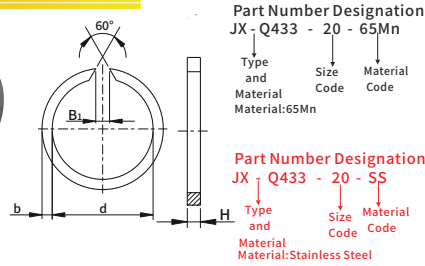


STAMPING FASTENERS SERIES

JX-Q433 Flat Wire Stopper Ring For Shafts

Standard: Q433
(QC/T 345-1999)

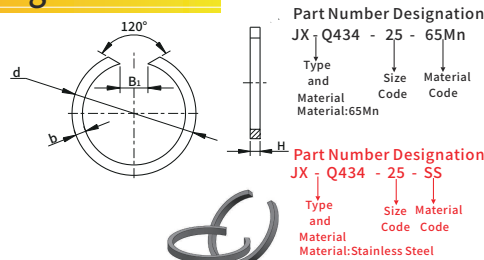


Material: Carbon spring steel, 65Mn, Stainless steel
Unit: mm

Shaft Dia d ₀	P/N		d		H		b	B ₁
	65Mn	Stainless steel	Basic size	Limit deviation	Basic size	Limit deviation		
20	JX-Q433-20-65Mn	JX-Q433-20-SS	18.5	±0.15	1	+0 -0.10	2.5	3
22	JX-Q433-22-65Mn	JX-Q433-22-SS	20.5	±0.15	1		2.5	3
24	JX-Q433-24-65Mn	JX-Q433-24-SS	22.2	±0.15	1		2.5	3
25	JX-Q433-25-65Mn	JX-Q433-25-SS	23.2	±0.15	1		2.5	3
26	JX-Q433-26-65Mn	JX-Q433-26-SS	24.2	±0.15	1		2.5	3
28	JX-Q433-28-65Mn	JX-Q433-28-SS	25.9	±0.15	1.1		3.2	3
30	JX-Q433-30-65Mn	JX-Q433-30-SS	27.9	±0.15	1.1		3.2	3
32	JX-Q433-32-65Mn	JX-Q433-32-SS	29.6	±0.15	1.1		3.2	3
34	JX-Q433-34-65Mn	JX-Q433-34-SS	31.5	±0.20	1.1		3.2	3
35	JX-Q433-35-65Mn	JX-Q433-35-SS	32.2	±0.20	1.1		3.2	3
36	JX-Q433-36-65Mn	JX-Q433-36-SS	33.2	±0.20	1.1		3.2	3
37	JX-Q433-37-65Mn	JX-Q433-37-SS	34.2	±0.20	1.1		3.2	3
38	JX-Q433-38-65Mn	JX-Q433-38-SS	35.2	±0.20	1.1		3.2	3
40	JX-Q433-40-65Mn	JX-Q433-40-SS	36.5	±0.20	1.1		3.2	3
42	JX-Q433-42-65Mn	JX-Q433-42-SS	38.5	±0.20	1.1		3.2	3
45	JX-Q433-45-65Mn	JX-Q433-45-SS	41.5	±0.20	1.1		4	3
48	JX-Q433-48-65Mn	JX-Q433-48-SS	44.5	±0.20	1.1		4	3

JX-Q434 Flat Wire Stopper Ring For Holes

Standard: Q434
(QC/T 344-1999)



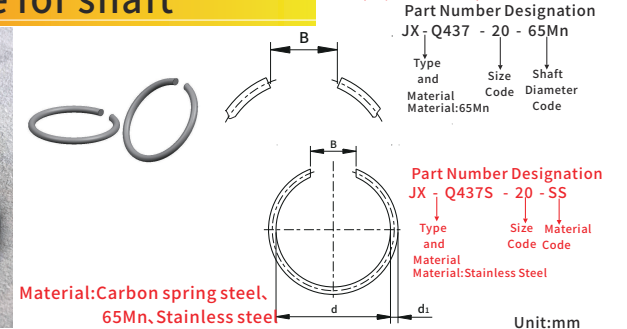
Material: Carbon spring steel, 65Mn, Stainless steel
Unit: mm

Hole Dia d ₀	P/N		d		H		b	B ₁
	65Mn	Stainless steel	Basic size	Limit deviation	Basic size	Limit deviation		
20	JX-Q434-20-65Mn	JX-Q434-20-SS	21.5	±0.15	1	+0 -0.10	2.5	8
22	JX-Q434-22-65Mn	JX-Q434-22-SS	23.5	±0.15	1		2.5	8
24	JX-Q434-24-65Mn	JX-Q434-24-SS	25.9	±0.15	1		2.5	8
25	JX-Q434-25-65Mn	JX-Q434-25-SS	26.9	±0.15	1		2.5	8
26	JX-Q434-26-65Mn	JX-Q434-26-SS	27.9	±0.15	1		2.5	8
28	JX-Q434-28-65Mn	JX-Q434-28-SS	30.1	±0.20	1.1		3.2	8
30	JX-Q434-30-65Mn	JX-Q434-30-SS	32.1	±0.20	1.1		3.2	8
32	JX-Q434-32-65Mn	JX-Q434-32-SS	34.4	±0.20	1.1		3.2	8
34	JX-Q434-34-65Mn	JX-Q434-34-SS	36.5	±0.20	1.1		3.2	10
35	JX-Q434-35-65Mn	JX-Q434-35-SS	37.8	±0.20	1.1		3.2	10

STAMPING FASTENERS SERIES

JX-Q437 Roundwire for shaft

Standard: Q437
(GB/T 895.2-1986)

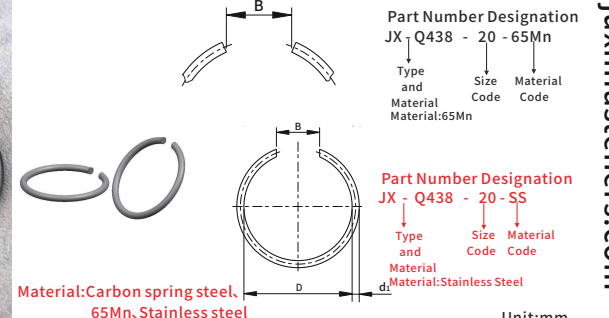


Material: Carbon spring steel, 65Mn, Stainless steel
Unit: mm

Shaft Dia d ₀	P/N			d		d ₁	B ≈
	65Mn	Carbon steel	Stainless steel	Basic size	Limit deviation		
4	JX-Q437-3-65Mn	JX-Q437-3-65Mn	JX-Q437-3-65Mn	3	^{+0.18} _{-0.18}	0.6	1
5	JX-Q437-4-65Mn	JX-Q437-4-65Mn	JX-Q437-4-65Mn	4	^{+0.18} _{-0.18}	0.6	1
6	JX-Q437-5-65Mn	JX-Q437-5-65Mn	JX-Q437-5-65Mn	5	^{+0.18} _{-0.18}	0.6	1
7	JX-Q437-6-65Mn	JX-Q437-6-65Mn	JX-Q437-6-65Mn	6	^{+0.18} _{-0.18}	0.8	2
8	JX-Q437-7-65Mn	JX-Q437-7-65Mn	JX-Q437-7-65Mn	7	^{+0.18} _{-0.18}	0.8	2
10	JX-Q437-9-65Mn	JX-Q437-9-65Mn	JX-Q437-9-65Mn	9	^{+0.22} _{-0.22}	0.8	2
12	JX-Q437-10.5-65Mn	JX-Q437-10.5-65Mn	JX-Q437-10.5-65Mn	10.5	^{+0.22} _{-0.22}	1.0	3
14	JX-Q437-12.5-65Mn	JX-Q437-12.5-65Mn	JX-Q437-12.5-65Mn	12.5	^{+0.47} _{-0.47}	1.0	3
16	JX-Q437-14.0-65Mn	JX-Q437-14.0-65Mn	JX-Q437-14.0-65Mn	14.0	^{+0.47} _{-0.47}	1.6	3
18	JX-Q437-16.0-65Mn	JX-Q437-16.0-65Mn	JX-Q437-16.0-65Mn	16.0	^{+0.47} _{-0.47}	1.6	3
20	JX-Q437-17.5-65Mn	JX-Q437-17.5-65Mn	JX-Q437-17.5-65Mn	17.5	^{+0.47} _{-0.47}	2.0	3

JX-Q438 Roundwire for hole

Standard: Q438
(GB/T 895.1-1986)



Material: Carbon spring steel, 65Mn, Stainless steel
Unit: mm

Hole Dia d ₀	P/N			D		d ₁	B ≈
	65Mn	Carbon steel	Stainless steel	Basic size	Limit deviation		
7	JX-Q438-8.0-65Mn	JX-Q438-8.0-ST	JX-Q438-8.0-SS	8.0	^{+0.22} _{-0.22}	0.8	4
8	JX-Q438-9.0-65Mn	JX-Q438-9.0-ST	JX-Q438-9.0-SS	9.0	^{+0.22} _{-0.22}	0.8	4
10	JX-Q438-11.0-65Mn	JX-Q438-11.0-ST	JX-Q438-11.0-SS	11.0	^{+0.43} _{-0.43}	0.8	4
12	JX-Q438-13.5-65Mn	JX-Q438-13.5-ST	JX-Q438-13.5-SS	13.5	^{+0.43} _{-0.43}	1.0	6
14	JX-Q438-15.5-65Mn	JX-Q438-15.5-ST	JX-Q438-15.5-SS	15.5	^{+0.43} _{-0.43}	1.0	6
16	JX-Q438-18.0-65Mn	JX-Q438-18.0-ST	JX-Q438-18.0-SS	18.0	^{+0.43} _{-0.43}	1.6	8
18	JX-Q438-20.0-65Mn	JX-Q438-20.0-ST	JX-Q438-20.0-SS	20.0	^{+0.52} _{-0.52}	1.6	8
20	JX-Q438-22.5-65Mn	JX-Q438-22.5-ST	JX-Q438-22.5-SS	22.5	^{+0.52} _{-0.52}	2.0	10
22	JX-Q438-24.5-65Mn	JX-Q438-24.5-ST	JX-Q438-24.5-SS	24.5	^{+0.52} _{-0.52}	2.0	10
24	JX-Q438-26.5-65Mn	JX-Q438-26.5-ST	JX-Q438-26.5-SS	26.5	^{+0.52} _{-0.52}	2.0	10
25	JX-Q438-27.5-65Mn	JX-Q438-27.5-ST	JX-Q438-27.5-SS	27.5	^{+0.52} _{-0.52}	2.0	10
26	JX-Q438-28.5-65Mn	JX-Q438-28.5-ST	JX-Q438-28.5-SS	28.5	^{+0.52} _{-0.52}	2.0	10