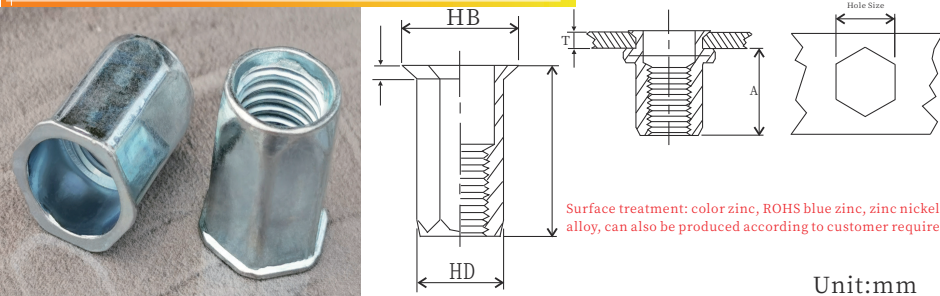


BLIND RIVET NUTS FASTENERS SERIES

Thin Head Open End Full Hexagonal Blind rivet nuts

Material:Steel



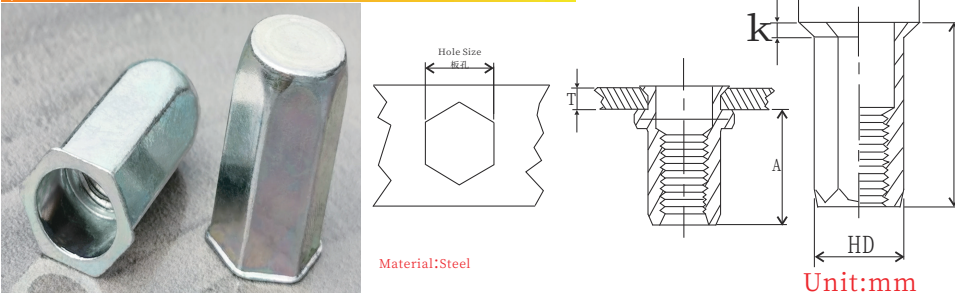
Surface treatment: color zinc, ROHS blue zinc, zinc nickel alloy, can also be produced according to customer requirements

Unit:mm

Size	Part No	Grip Range T	A _{Rer}	Hole Size +0.1 0	HD +0.07 -0.1	HB +0.3	K +0.1	L +0.3
M4	JX-S-M4-HEX(F)-11	0.5-2.5	6.7	6.0	5.9	7.0	0.5	11
	JX-S-M4-HEX(F)-13.5	2.5-5.0	6.7	6.0	5.9	7.0	0.5	13.5
M5	JX-S-M5-HEX(F)-14.5	0.5-3.0	9.0	7.0	6.9	8.0	0.5	14.5
	JX-S-M5-HEX(F)-16	3.0-5.0	9.0	7.0	6.9	8.0	0.5	16.0
M6	JX-S-M6-HEX(F)-16	1.0-3.5	10.0	9.0	8.9	10.0	0.6	16.0
	JX-S-M6-HEX(F)-18	3.5-6.0	10.0	9.0	8.9	10.0	0.6	18.0
M8	JX-S-M8-HEX(F)-18	1.0-4.0	11.5	11.0	10.9	12.0	0.65	18.0
	JX-S-M8-HEX(F)-20	4.0-6.0	11.5	11.0	10.9	12.0	0.65	20.0
M10	JX-S-M10-HEX(F)-19	1.0-3.5	12.5	13.0	12.9	14.5	0.75	19.0
	JX-S-M10-HEX(F)-23.5	3.5-6.0	14.5	13.0	12.9	14.5	0.75	23.5
M12	JX-S-M12-HEX(F)-24.5	1.0-4.2	16	16.0	15.9	18.8	0.8	24.5

Thin Head Closed End Full Hexagonal Blind Rivet Nuts

Material:Steel



Unit:mm

Size	Part No	Grip Range T	A(ref.)	Hole Size +0.1 0	HD +0.07 -0.1	HB	K +0.1	L +0.3
M4	JX-BS-M4-HEX(F)-16	0.5-2.5	12.3	6	5.9	7.0	0.5	16.0
M5	JX-BS-M5-HEX(F)-20	0.5-3.0	15.2	7	6.9	8.0	0.5	20.0
M6	JX-BS-M6-HEX(F)-20.5	0.5-3.5	14.5	9	8.9	10.0	0.6	20.5
M8	JX-BS-M8-HEX(F)-23	1.0-4.0	17.0	11	10.9	12.0	0.65	23.0
M10	JX-BS-M10-HEX(F)-28.5	1.0-4.5	20.0	13	12.9	14.5	0.75	28.5
M12	JX-BS-M12-HEX(F)-29	1.0-3.5	29.0	16	15.9	18.8	0.8	29.0

Surface treatment: color zinc, ROHS blue zinc, zinc nickel alloy, can also be produced according to customer requirements

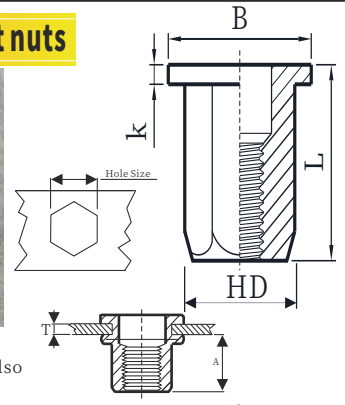
BLIND RIVET NUTS FASTENERS SERIES

Flat Head Open End Hexagonal body Blind Rivet nuts



P/N:JX-F-M6-HEX(F)-15(16)B

Surface treatment: color zinc, ROHS blue zinc, zinc nickel alloy, can also be produced according to customer requirements

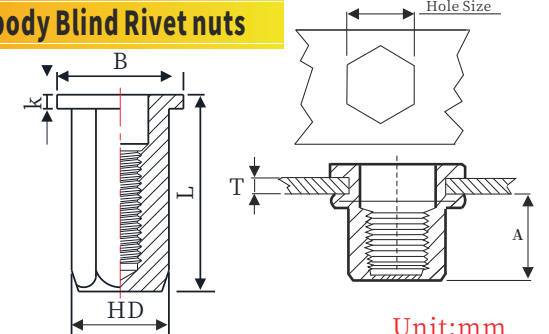


Material:Steel

Unit:mm

Size	Part No	Grip Range T	A _{Rer}	Hole Size +0.1 0	HD +0.07 -0.1	B +0.3	K +0.1	L +0.3
M4	JX-F-M4-HEX(F)-11	0.5-2.0	6.5	6.0	5.9	9.0	0.8	11
M5	JX-F-M5-HEX(F)-14	0.5-2.5	8.0	7.0	6.9	10.0	1.0	14.0
M6	JX-F-M6-HEX(F)-15(16) JX-F-M6-HEX(F)-15(16)B	0.5-3.0	8.5	9.0	8.9	12.7(13)	1.35	15(16)
M8	JX-F-M8-HEX(F)-18	1.0-3.5	10.5	11.0	10.9	16.0	1.5	18.0
M10	JX-F-M10-HEX(F)-21(23)	1.0-3.5	12.5	13.0	12.9	18(19)	1.7	21(23)
	JX-F-M10-HEX(F)-21	1.0-3.5	13.5	12.0	11.9	14.5	1.7	21
M12	JX-F-M12-HEX(F)-23	1.0-4.0	14.0	15.0	14.9	20.0	1.7	23
	JX-F-M12-HEX(F)-27	2.0-5.0	16.5	16.0	15.9	23.0	2.0	27.0

Flat head Closed End Hexagonal body Blind Rivet nuts



Unit:mm

Size	Part No	Grip Range T	A(ref.)	Hole Size +0.1 0	HD +0.07 -0.1	B	K +0.1	L +0.3
M4	JX-BF-M4-HEX(F)-15	0.5-2.0	12.3	6	5.9	7.0	0.5	16.0
M5	JX-BF-M5-HEX(F)-18	0.5-2.5	15.2	7	6.9	8.0	0.5	20.0
M6	JX-BF-M6-HEX(F)-23	0.5-3.0	14.5	9	8.9	10.0	0.6	20.5
M8	JX-BF-M8-HEX(F)-26	1.0-3.5	17.0	11	10.9	12.0	0.65	23.0
M10	JX-BF-M10-HEX(F)-21	0.5-2.5	13.5	12	12	18.0	1.6	21.0
M10	JX-BF-M10-HEX(F)-33	1.0-4.0	25	13	12.9	19.0	2.0	33.0
M12	JX-BF-M12-HEX(F)-38	1.0-3.5	30.0	15	14.9	18.0	1.8	38.0

Surface treatment: color zinc, ROHS blue zinc, zinc nickel alloy, can also be produced according to customer requirements