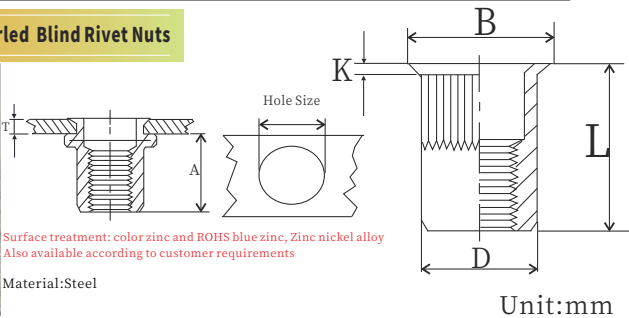


# BLIND RIVET NUTS FASTENERS SERIES

## Thin Head Open Round Body Plain Knurled Blind Rivet Nuts



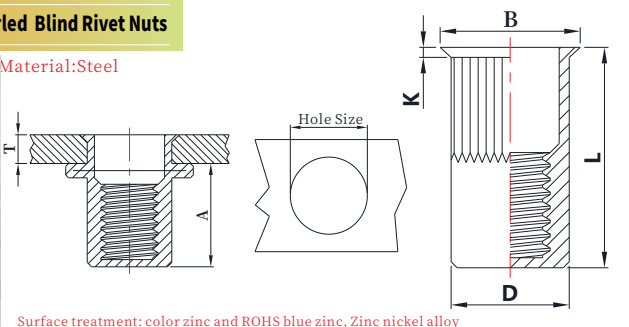
Surface treatment: color zinc and ROHS blue zinc, Zinc nickel alloy  
Also available according to customer requirements

Material:Steel

Unit:mm

Size	Part No	Grip Range T	A Rer	Hole Size <sup>+0.1</sup> <sub>0</sub>	D <sup>+0.07</sup> <sub>-0.1</sub>	B <sup>+0.2</sup>	K <sup>+0.1</sup>	L <sup>+0.2</sup>
M3	JX-S-M3-R-9	0.5-2.0	6.2	5.0	4.9	6.0	0.5	9.0
	JX-S-M3-R-9-UK	0.5-1.5	5.5	4.8	4.65	5.4	0.4	9.0
M4	JX-S-M4-R-11.2	0.5-2.0	7.0	6.0	5.9	7.0	0.5	11.2
	JX-S-M4-R-13	2.0-4.0	7.0	6.0	5.9	7.0	0.5	13.0
	JX-S-M4-R-13	0.5-2.0	6.5	6.5	6.35	7.0	0.5	10.5
M5	JX-S-M5-R-11.5	0.5-2.0	7.0	7.0	6.9	8.0	0.5	11.5
	JX-S-M5-R-13	2.0-4.0	7.0	7.0	6.9	8.0	0.5	13.0
	JX-S-M5-R-12-UK	0.5-2.5	7.5	7.25	7.15	7.85	0.5	12.0
M6	JX-S-M6-R-14	0.5-2.5	8.5	9.0	8.9	10.0	0.6	14.0
	JX-S-M6-R-16	2.5-5.0	8.5	9.0	8.9	10.0	0.6	16.0
	JX-S-M6-R-15-UK	1.0-3.0	9.2	9.6	9.45	10.3	0.6	15.0
M8	JX-S-M8-R-16.5	0.5-3.0	10.0	11.0	10.9	12.0	0.65	16.5
	JX-S-M8-R-18.5	3.0-5.0	10.0	11.0	10.9	12.0	0.65	18.5
	JX-S-M8-R-16	1.0-3.5	10.5	10.6	10.45	11.3	0.60	16.0
M10	JX-S-M10-R-19.5	1.0-3.5	12.5	13.0	12.9	14.0	0.70	19.5
	JX-S-M10-R-22	3.5-6.0	12.5	13.0	12.9	14.0	0.70	22.0
	JX-S-M10-R-19.5	1.0-3.5	12.5	12.0	11.9	13.0	0.70	19.5
	JX-S-M10-R-20-UK	1.0-4.0	12.8	12.8	12.65	13.8	0.65	20.0
M12	JX-S-M12-R-24.2	1.0-4.0	16.2	16.0	15.9	17.6	0.75	24.2

## Thin Head Closed end Round Body knurled Blind Rivet Nuts



Material:Steel

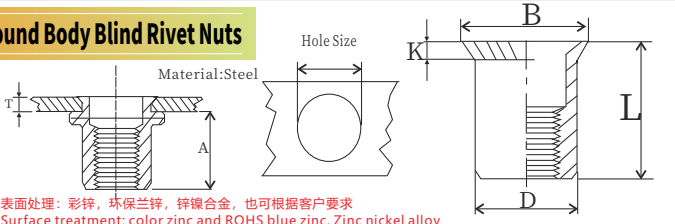
Surface treatment: color zinc and ROHS blue zinc, Zinc nickel alloy  
Also available according to customer requirements

Unit:mm

Size	Part No	Grip Range T	A Rer	Hole Size <sup>+0.1</sup> <sub>0</sub>	D <sup>+0.07</sup> <sub>-0.1</sub>	B <sup>+0.2</sup>	K <sup>+0.1</sup>	L <sup>+0.3</sup>
M4	JX-BS-M4-15	0.5-2.0	11.0	6.0	5.9	7.0	0.5	15.0
	JX-BS-M4-R-16.5	2.0-3.5	11.0	6.0	5.9	7.0	0.5	16.5
M5	JX-BS-M5-R-16.5	0.5-2.0	12.5	7.0	6.9	8.0	0.5	16.5
	JX-BS-M5-R-18	2.0-3.5	12.5	7.0	6.9	8.0	0.5	18.0
M6	JX-BS-M6-R-20.5	0.5-3.0	15.5	9.0	8.9	10.0	0.6	20.5
	JX-BS-M6-R-22	3.0-4.5	15.5	9.0	8.9	10.0	0.6	22.0
M8	JX-BS-M8-R-23	0.5-3.0	17.0	11.0	10.9	12.0	0.65	23.0
	JX-BS-M8-R-24.5	3.0-4.5	17.0	11.0	10.9	12.0	0.65	24.5
M10	JX-BS-M10-R-24.5	1.0-3.0	18.2	13.0	12.9	14.0	0.70	24.5
	JX-BS-M10-R-26	3.0-5.0	18.2	13.0	12.9	14.0	0.70	26.0

# BLIND RIVET NUTS FASTENERS SERIES

## Countersunk Head Open Round Body Blind Rivet Nuts

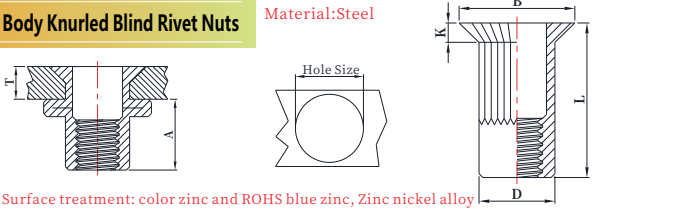
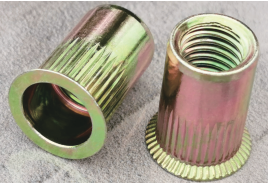


Surface treatment: color zinc and ROHS blue zinc, Zinc nickel alloy  
Also available according to customer requirements

Unit: mm

Size	Part No	Grip Range T	A Rer	Hole Size <sup>+0.1</sup> <sub>0</sub>	D <sup>+0.07</sup> <sub>-0.1</sub>	B <sup>+0.2</sup>	K <sup>+0.2</sup>	L <sup>+0.3</sup>
M4	JX-C-M4-12	1.5-3.0	6.5	6.0	5.9	9.0	1.5	12.0
M5	JX-C-M5-13	1.5-3.5	7.5	7.0	6.9	10.0	1.5	13.0
M6	JX-C-M6-15.5	1.5-4.0	9.0	9.0	8.9	12.0	1.5	15.5
M8	JX-C-M6-18.5	2.0-4.5	11.0	11.0	10.9	14.0	1.5	18.5
M10	JX-C-M10-21	2.0-5.0	13.0	13.0	12.9	16.0	1.5	21.0

## Countersunk Head Open Round Body Knurled Blind Rivet Nuts

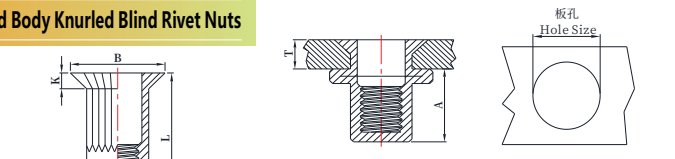


Surface treatment: color zinc and ROHS blue zinc, Zinc nickel alloy  
Also available according to customer requirements

Unit: mm

Size	Part No	Grip Range T	A Rer	Hole Size <sup>+0.1</sup> <sub>0</sub>	D <sup>+0.07</sup> <sub>-0.1</sub>	B <sup>+0.2</sup>	K <sup>+0.2</sup>	L <sup>+0.3</sup>
M4	JX-C-M4-R-12	1.5-3.0	6.5	6.0	5.9	9.0	1.5	12.0
M5	JX-C-M5-R-13	1.5-3.5	7.5	7.0	6.9	10.0	1.5	13.0
M6	JX-C-M6-R-15.5	1.5-4.0	9.0	9.0	8.9	12.0	1.5	15.5
M8	JX-C-M8-R-18.5	2.0-4.5	11.0	11.0	10.9	14.0	1.5	18.5
M10	JX-C-M10-R-21	2.0-5.0	13.0	13.0	12.9	16.0	1.5	21.0
M12	JX-C-M12-R-24	2.0-5.0	16.5	16.0	15.9	19.0	1.5	24.0

## Countersunk Head Closed Round Body Knurled Blind Rivet Nuts



Material:Steel

Surface treatment: color zinc and ROHS blue zinc, Zinc nickel alloy  
Also available according to customer requirements

Unit: mm

Size	Part No		Grip Range T	A Rer	Hole Size <sup>+0.1</sup> <sub>0</sub>	D <sup>+0.07</sup> <sub>-0.1</sub>	B <sup>+0.2</sup>	K <sup>+0.1</sup>	L <sup>+0.3</sup>
	Knurled Body	Round Body							
M4	JX-BC-M4-R-17.3	JX-BC-M4-17.3	1.6-3.5	12.3	6.0	5.9	9.0	1.5	17.3
M5	JX-BC-M5-R-19.5	JX-BC-M5-19.5	1.6-3.5	13.5	7.0	6.9	10.0	1.5	19.5
M6	JX-BC-M6-R-23.5	JX-BC-M6-23.5	1.6-4.0	17.5	9.0	8.9	12.0	1.5	23.5
M8	JX-BC-M8-R-26.5	JX-BC-M8-26.5	1.6-4.5	20.0	11.0	10.9	14.0	1.5	26.5
M10	JX-BC-M10-R-33	JX-BC-M10-33	1.6-4.5	25.5	13.0	12.9	16.0	1.7	33.0
M12	JX-BC-M12-R-38	JX-BC-M12-38	1.6-4.5	31.0	16.0	15.9	19.0	1.8	38.0